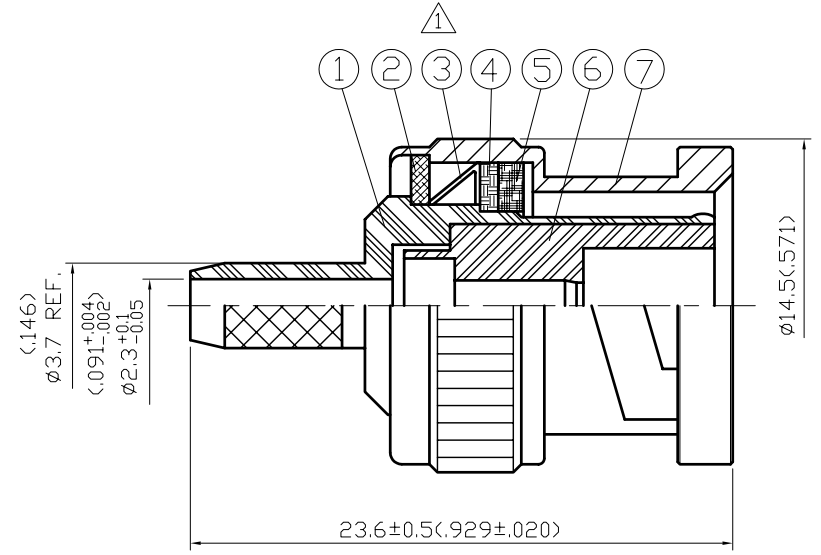
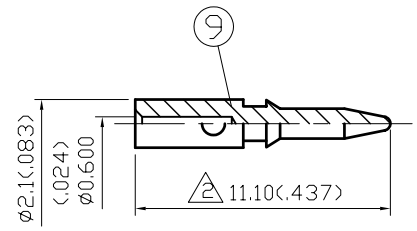
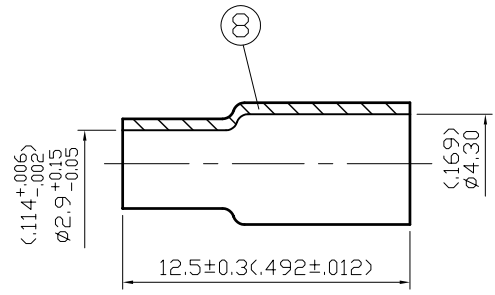
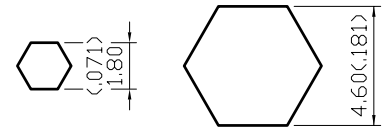
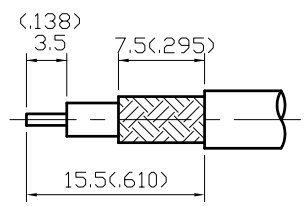


NO	DESCRIPTION	DATE
①	REDUCE SPRING WASHER FROM 2 PCS TO 1 PC	03.06.96
②	11.30 → 11.10	04.10.00
③	BACKGROUND FORMAT UPDATED	08.27.03



NOTES: UNLESS OTHERWISE SPECIFIED

- BODIES: BRASS PER JIS-C3604
- CENTER CONTACT: BRASS PER JIS-C3604
- INSULATION: TEFLON PER ASTM D1457 AND ASTM D1710
- CRIMP FERRULE: BRASS PER JIS-C2700
- CONNECTOR INTERFACE PER MIL-STD-348A
- PART TO BE CLEAN AND FREE OF BURRS



STRIPPING DIMENSION

HEX. DIMENSION

NO	DESCRIPTION	MATERIAL	Q'TY	FINISH
9	CENTER CONTACT	BRASS	1	GOLD
8	CRIMP FERRULE	BRASS	1	NICKEL 100 μ" MIN.
7	SHELL	ZINC	1	NICKEL 100 μ" MIN.
6	INSULATION	TEFLON	1	NONE
5	GASKET	RUBBER	1	NONE
4	WASHER	BRASS	1	NICKEL 100 μ" MIN.
3	SPRING WASHER	SK-5	1	NICKEL 100 μ" MIN.
2	WASHER	BRASS	1	NICKEL 100 μ" MIN.
1	BODY	BRASS	1	NICKEL 100 μ" MIN.

製圖	DRAWN	TOLERANCE	品名	13-10-1 174U (50Ω)	DATE	版次	REV.
檢圖	CHECK	.XX	±0.1	單位	DWG.NO.	13-0073	SCALE
		.XXX	±0.05				
認定	APPRO\	ANGLE	±5°	比例			