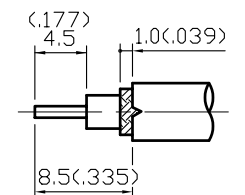
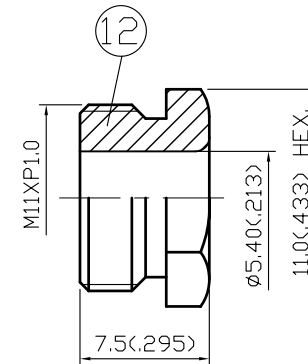
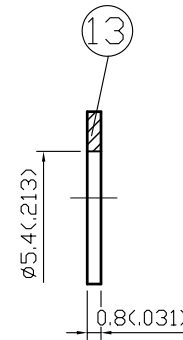
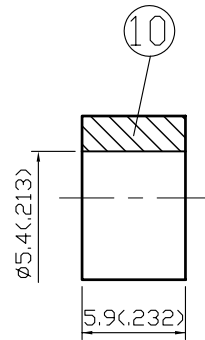


NOTES: UNLESS OTHERWISE SPECIFIED

1. BODIES: BRASS PER JIS-C3604
2. CENTER CONTACT: BRASS PER JIS-C3604
3. INSULATION: TEFLON PER ASTM D1457 AND ASTM D1710
4. CONNECTOR INTERFACE PER MIL-STD-348A
5. PART TO BE CLEAN AND FREE OF BURRS

NO	DESCRIPTION	MATERIAL	Q'TY	FINISH
13	WASHER	BRASS	1	NICKEL 100 μ" MIN.
12	NUT	BRASS	1	NICKEL 100 μ" MIN.
11	BODY	BRASS	1	NICKEL 100 μ" MIN.
10	GASKET	RUBBER	1	NONE
9	BRAID CLAMP	BRASS	1	NICKEL 100 μ" MIN.
8	INSULATION	TEFLON	1	NONE
7	WASHER	BRASS	1	NICKEL 100 μ" MIN.
6	SPRING WASHER	SK-5	1	NICKEL 100 μ" MIN.
5	WASHER	BRASS	1	NICKEL 100 μ" MIN.
4	GASKET	RUBBER	1	NONE
3	CENTER CONTACT	BRASS	1	GOLD
2	INSULATION	TEFLON	1	NONE
1	SHELL	BRASS	1	NICKEL 100 μ" MIN.



STRIPPING DIMENSION

製圖	DRAWN	TOLERANCE	品名	13-04-5 58U (50Ω)	日期	DATE	版次	REV.
	<i>Elvis</i>					.X ±0.2		TITLE
檢圖	CHECK	.XX ±0.1	單位	DWG.NO.	13-0040			
	<i>Monica</i>	.XXX ±0.05				mm(in)		
認定	APPROV	ANGLE ±5°	比例	SCALE				
	<i>Monica</i>		3:1					