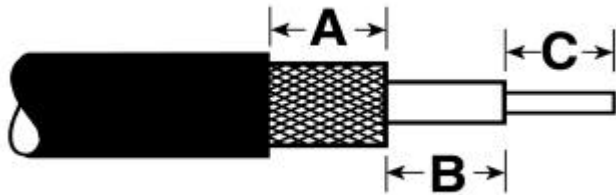
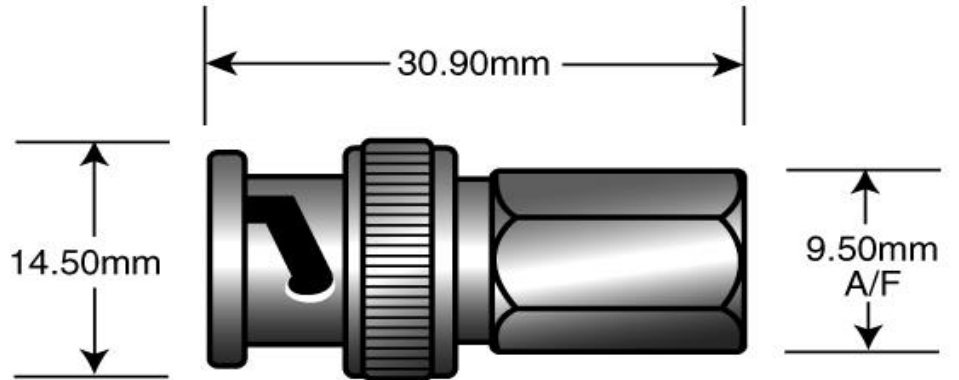


Basic Material

Item	Material	Plating
BODY	Brass	Nickel
PIN	Brass	Gold
INSULATOR	Delrin	-



A	6 mm.
B	1 mm.
C	12 mm.

VITELEC[®]
ELECTRONICS LIMITED

Vitelec Works, Station Road, Bordon, Hampshire, GU35 0LG, England
Tel: +44 (0)1420 488661 Fax: +44 (0)1420 488014

Drawn by:

SS

Description:

Revision: 1

Page 1 of 3

Checked by:

AT

BNC Twist-on plug for RG223 cable type, (RG59)*

Approved by:

Date:

20/02/00

Part No:

TOBNC10-59/62

Electrical



Impedance	50 Ohms standard, (75 Ohms where indicated)*
Frequency	50 Ohms: DC to 4GHz, (75 Ohms: DC to 1GHz)*
Insulation resistance	5000 MOhms min.
Inner contact resistance	1.5 mOhms max.
Outer contact resistance	0.5 mOhms max.
Working voltage	500V RMS max.
Dielectric withstanding voltage	1500V RMS max.
VSWR	1.35 : 1 max. (cable fixing connectors only)
Insertion loss	0.2dB max. @ 3GHz
RF leakage	-55dB max. @ 3GHz

Mechanical & Environmental

Cable retention	Equal to breaking strain of cable (cable fixing connectors only)
Durability	500 mating minimum
Temperature range	-55°C to +85°C



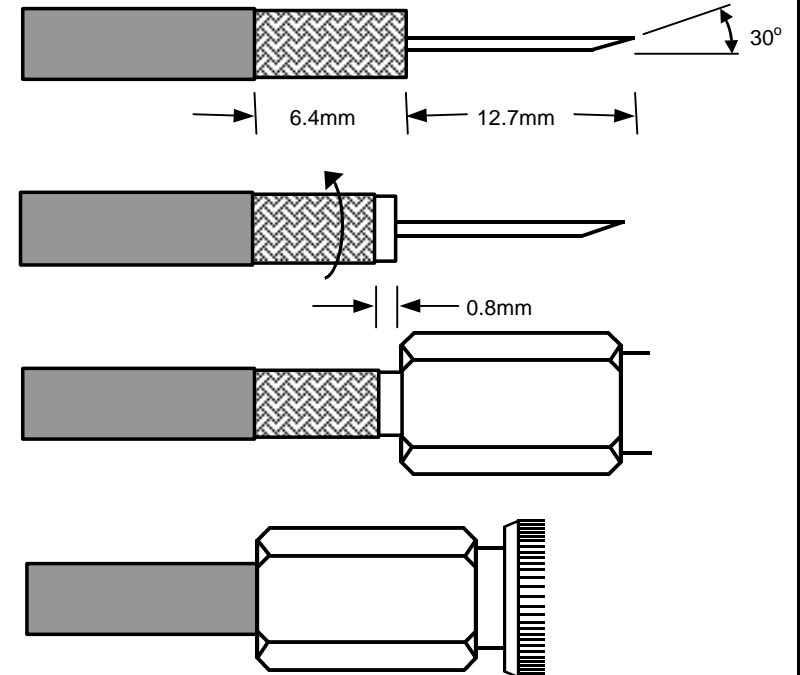
Vitelec Works, Station Road, Bordon, Hampshire, GU35 0LG, England
Tel: +44 (0)1420 488661 Fax: +44 (0)1420 488014

Drawn by:		Description:	Revision: 1	Page 2 of 3
Checked by:		BNC Twist-on plug for RG223 cable type, (RG59)*		
Approved by:				
Date:	20/02/00	Part No:	TOBNC10-59/62	

Assembly Instructions

ALL BNC & TNC TWIST-ON CONNECTORS.

- 1) TRIM CABLE AS SHOWN, CUTTING CENTRE CONDUCTOR AT APPROX. 30 DEGREES. TAKE CARE NOT TO NICK THE CENTRE CONDUCTOR OR BRAID. CUTTING CENTRE AT 30 DEGREES FACILITATES EASY ENTRY OF THE CONDUCTOR INTO THE CONNECTOR.
- 2) TWIST THE BRAID IN A CLOCKWISE DIRECTION SO THAT A MINIMUM OF 1/32" (0.8MM) INNER DIELECTRIC IS BARED. BE CERTAIN TO AVOID LOOSE OR STRAY STRANDS THAT COULD CAUSE SHORTS.
- 3) INSERT THE CENTRE CONDUCTOR INTO THE GUIDE HOLE IN THE REAR INSULATOR OF THE CONNECTOR.
- 4) NOW FIRMLY PUSH THE CABLE AS FAR FORWARD AS POSSIBLE & SCREW THE CONNECTOR HEX BACK END ONTO THE CABLE IN A CLOCKWISE DIRECTION UNTIL IT STOPS.



VITELEC[®]
ELECTRONICS LIMITED

Vitelec Works, Station Road, Bordon, Hampshire, GU35 0LG, England
Tel: +44 (0)1420 488661 Fax: +44 (0)1420 488014

Drawn by:

SS

Checked by:

AA

Approved by:

Description:

Revision: 1

Page 3 of 3

BNC Twist-on plug for RG223 cable type, (RG59)*

Date:

20/02/00

Part No:

TOBNC10-59/62