

THIS DRAWING IS UNPUBLISHED. RELEASED FOR PUBLICATION SEP ,2005.

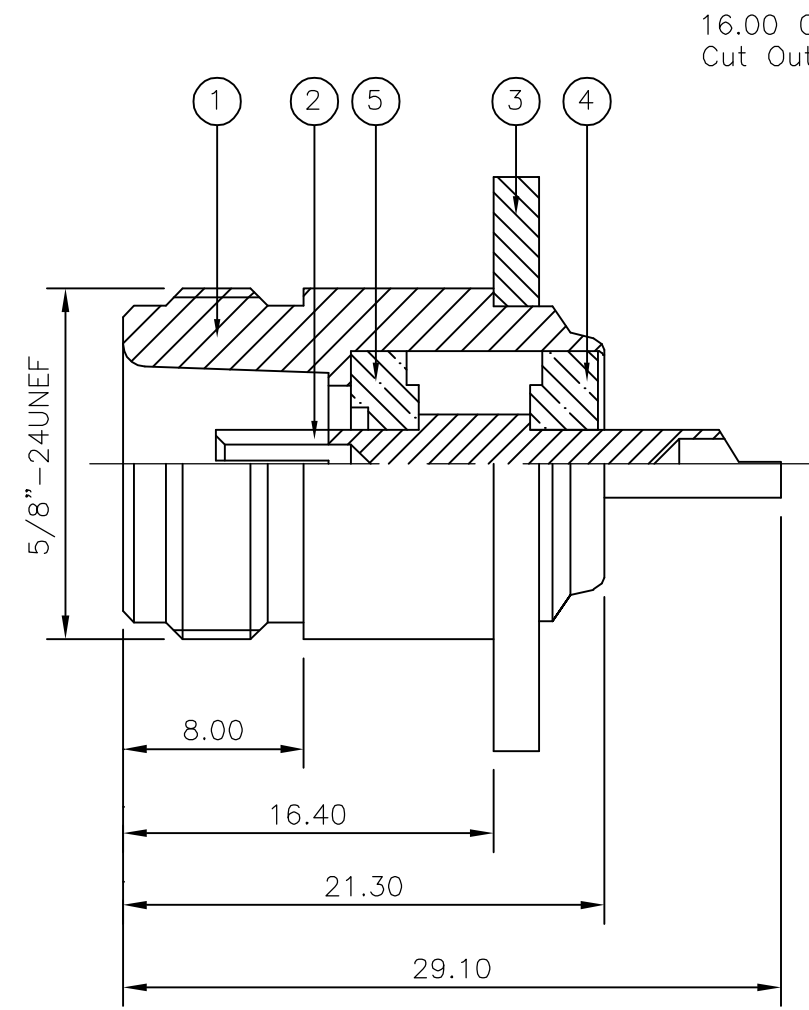
© COPYRIGHT 2005 BY TYCO ELECTRONICS CORPORATION. ALL RIGHTS RESERVED.

LOC	DIST	REVISIONS					
E	B	P	LTR	DESCRIPTION	DATE	DWN	APVD
		C		ECR-05-011509	21SEP05	JMS	FWK

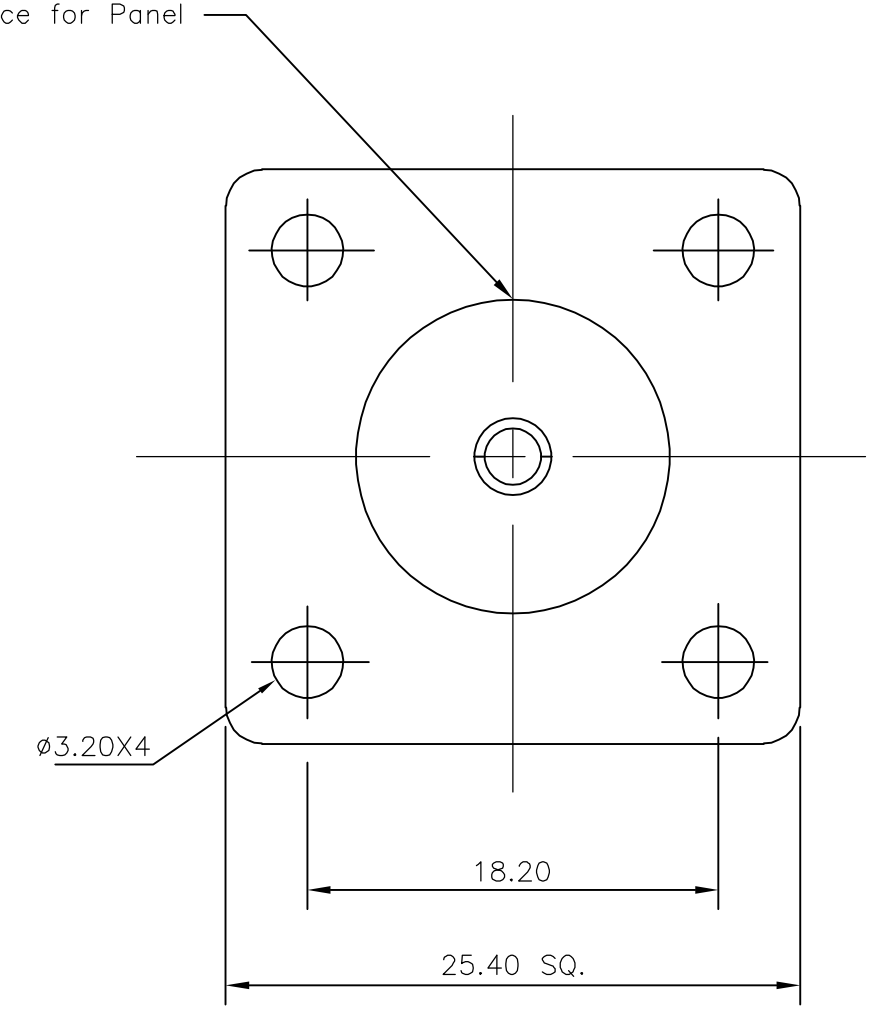
NOTES:

- ① PACK IN ACCORDANCE WITH AMP SPEC 107-3275
- ② 100 TRAY PACK IN ACCORDANCE WITH AMP SPEC 107-3275
- ③ Ag PLATING

4. ELECTRICAL CHARACTERISTICS
- | | |
|-------------------------------|-----------------------------|
| FREQUENCY RANGE: | DC - 11 GHz |
| NOMINAL IMPEDANCE: | 50 Ohm |
| INSULATION RESISTANCE: | 5000 MOhm |
| WORKING VOLTAGE: | 1000 Volts RMS at Sea Level |
| DIELECTRIC WITHSTAND VOLTAGE: | 2500 Volts RMS Max |
| CONTACT RESISTANCE: | |
| CENTRE CONTACT: | 1.00 mOhm Max |
| OUTER CONTACT: | 1.00 mOhm Max |
| VSWR @ xGHz: | N/A |
| INSERTION LOSS xdb: | N/A |
5. MECHANICAL CHARACTERISTICS
- | | |
|-------------|----------------|
| DURABILITY: | 500 Cycles Min |
|-------------|----------------|
6. ENVIRONMENTAL CHARACTERISTICS
- | | |
|------------------------|------------------|
| OPERATING TEMPERATURE: | -65 to +165 DegC |
|------------------------|------------------|



16.00 Clearance for Panel Cut Out



	1	1	PTFE	INSULATION	5
	1	1	PTFE	INSULATION	4
	1	1	BRASS	③ HOUSING	3
	1	1	BRASS	③ CONTACT	2
	1	1	BRASS	③ BODY	1
	6--0	1--0	MATERIAL	DESCRIPTION	ITEM

QUANTITY PER ASSY		PARTS LIST			
DWN		Tyco Electronics Corporation			
J.SANDWELL		Bideford EX39 4HE			
CHK		NAME			
S.PARLOW		TYPE-N PANEL SOCKET 50 OHM			
APVD		-			
F.WHEELER-KING		-			
PRODUCT SPEC		-			
108-3435		SIZE	CAGE CODE	DRAWING NO	RESTRICTED TO
APPLICATION SPEC		A3	00779	C-1337418	-
WEIGHT		SCALE		SHEET	REV
-		NTS		1 OF 1	C

THIS DRAWING IS A CONTROLLED DOCUMENT.	
DIMENSIONS:	TOLERANCES UNLESS OTHERWISE SPECIFIED:
mm	
	0 PLC ± -
	1 PLC ± -
	2 PLC ± -
	3 PLC ± -
	4 PLC ± -
	ANGLES ± -
MATERIAL	FINISH
SEE TABLE	SEE TABLE