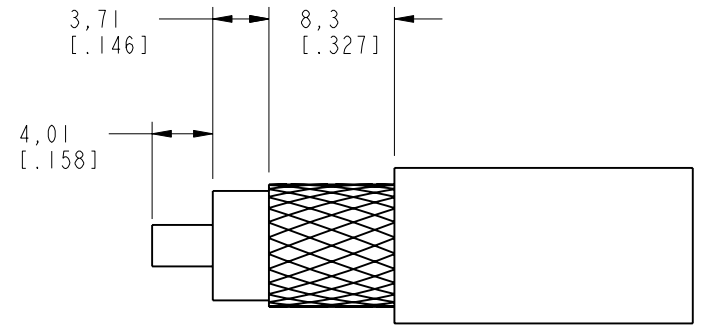


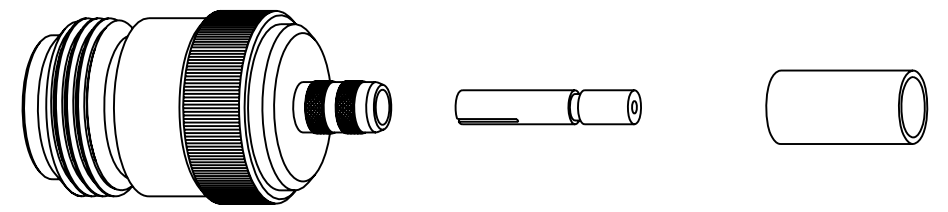
NOTES:

1. MATERIALS OF CONSTRUCTION:
 BODY & BARREL = BRASS, NICKEL PLATED
 FERRULE = COPPER, NICKEL PLATED
 CONTACT PIN = PHOSPHOR BRONZE, GOLD PLATED
 INSULATOR = TEFLON, MIL-P-19468
2. ELECTRICAL:
 A. IMPEDANCE: 50 OHM
3. MECHANICAL:
 A. TEMPERATURE RANGE: -65° C TO +165° C
4. PACKAGING:
 A. QUANTITY: SINGLE PACK
 B. MARKING: BAG TO BE MARKED
 "AMPHENOL, 82-5376-RFX, AND DATE CODE"

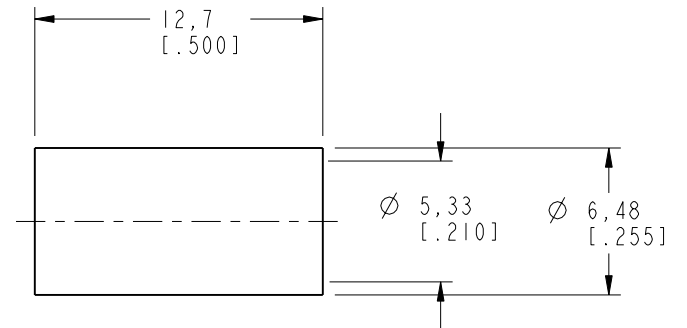
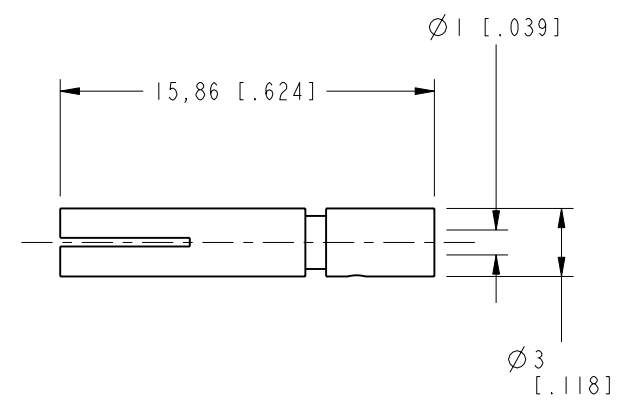
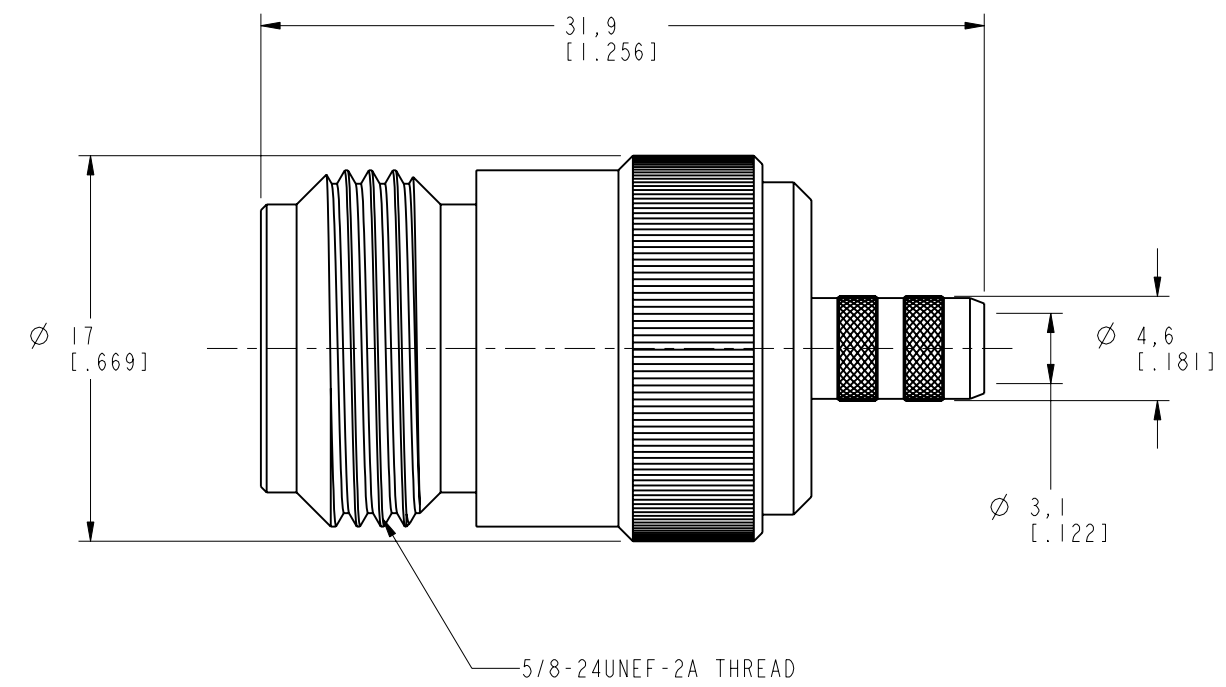
82-5376-RFX		REVISIONS			
DRAWING NO.	REV	DESCRIPTION	DATE	ECO	APPR
THIRD ANGLE PROJ.	A	RELEASE TO MFG.	9/13/00	43503	CPM
	C	RE-RELEASED AT WRONG REVISION LEVEL	9/28/00	43531	CPM
	D	TITLE WAS PLUG; ADD NOTES 2 THRU 4	6/19/06	46127	CPM



RECOMMENDED CABLE STRIPPING DIMENSIONS
SCALE 2.000



SCALE 1.500



CUSTOMER OUTLINE DRAWING
ALL OTHER SHEETS ARE FOR INTERNAL USE ONLY

UNLESS OTHERWISE SPECIFIED, DIMENSIONS ARE IN MM (INCHES) AND TOLERANCES ARE: 0.5 - 6mm ±0.2mm 6 - 30mm ±0.4mm 30 - 120mm ±0.6mm	MATERIAL	DRAWN C. McGRATH	DATE 31-Aug-00	TITLE 'N' CRIMP CRIMP JACK FOR RG-58, 141 & 142 CABLES, 50 OHM	Amphenol Amphenol Corporation Communication and Network Products Division Danbury, CT U.S.A. 06810
	REFERENCE GEN# 82-5376-RFX_ASSY	ENGINEER T. AUBIN	DATE 31-Aug-00		
NOTICE - These drawings, specifications, or other data (1) are, and remain the property of Amphenol Corp. (2) must be returned upon request; and (3) are confidential and not to be disclosed to any person other than those to whom they are given by Amphenol Corp. The furnishing of these drawings, specifications, or other data by Amphenol Corp., or to any other person to anyone for any purpose is not to be regarded by implication or otherwise in any manner licensing, granting rights or permitting such holder or any other person to manufacture, use or sell any product, process or design, patented or otherwise, that may in any way be related to or disclosed by said drawings, specifications, or other data.		APPROVED T. AUBIN	DATE 9/27/00	CODE ID 74868	DWG SIZE B
				DRAWING NO. 82-5376-RFX	REV D