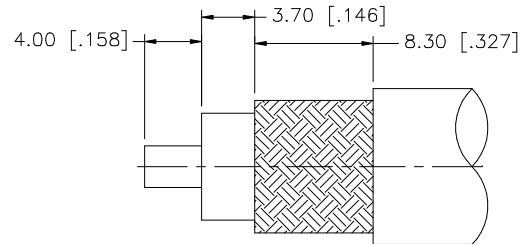
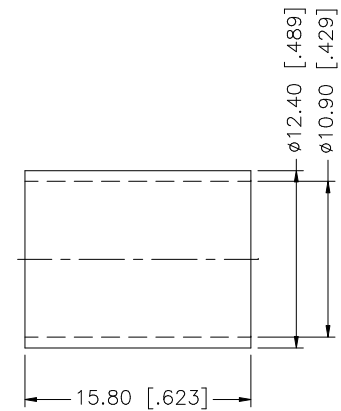
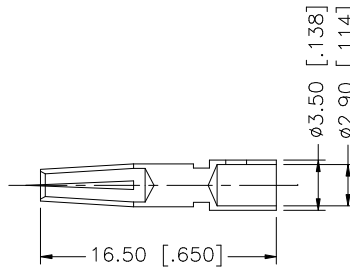
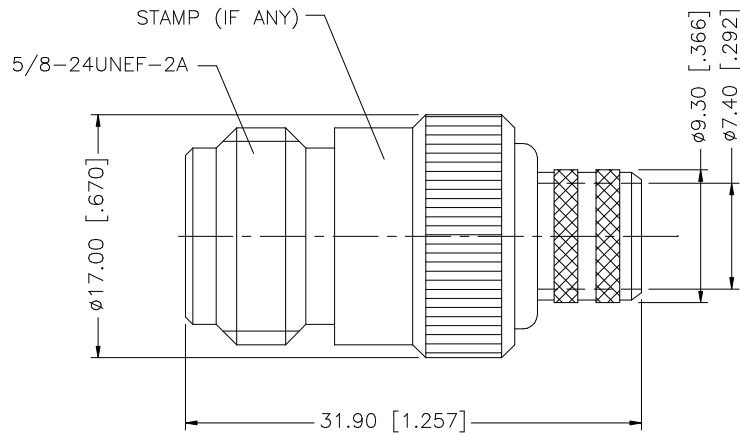


REV.	DATE	DESCRIPTION
A	04/31/03	UPDATE DRAWING FORMAT



RECOMMENDED
CABLE STRIPPING DIM'S



NOTE:

1. CRIMPED FERRULE
HEX. CRIMP SIZE .429"
2. CRIMPED CONTACT PIN
HEX CRIMP SIZE .118"

8					<small>UNLESS OTHERWISE SPECIFIED DIMENSIONS ARE IN MILLIMETERS. DIMENSIONS IN [] ARE IN INCHES AND FOR CUSTOMER REFERENCE ONLY.</small> <small>UNLESS OTHERWISE SPECIFIED TOLERANCES FOR MILLIMETERS ARE:</small> 0.5 - 8mm ± 0.20mm 8 - 30mm ± 0.40mm 30 - 120mm ± 0.50mm <small>UNLESS OTHERWISE SPECIFIED TOLERANCES FOR INCHES ARE:</small> .020 - .315 = ± 0.007" .315 - 1.180 = ± 0.015" 1.180 - 4.724 = ± 0.020"	APPROVALS	DATE	<h1 style="color: blue;">Amphenol Connex</h1>					
7				DRAWN		G.R.S.	04/31/03						
6				CHECKED				PART DESCRIPTION N CRIMP JACK (FOR BELDEN 9913, 9914, LMR400 CABLE)					
5				ISSUED									
4	FERRULE	COPPER	NEXCOTE	1		SHEET	1 OF 1	PART NO. 172203					
3	CONTACT PIN	PHOS. BRONZE	GOLD	1		CAD FILE	C:/172/172203.DWG						
2	INSULATOR	TEFLON	NATURAL	1		DWG. NO.	172203.DWG	REV.	A	SIZE	A	SCALE	NA
1	BODY	BRASS	NEXCOTE	1									
	DESCRIPTION	MATERIAL	FINISH	QTY	DO NOT SCALE DRAWING								