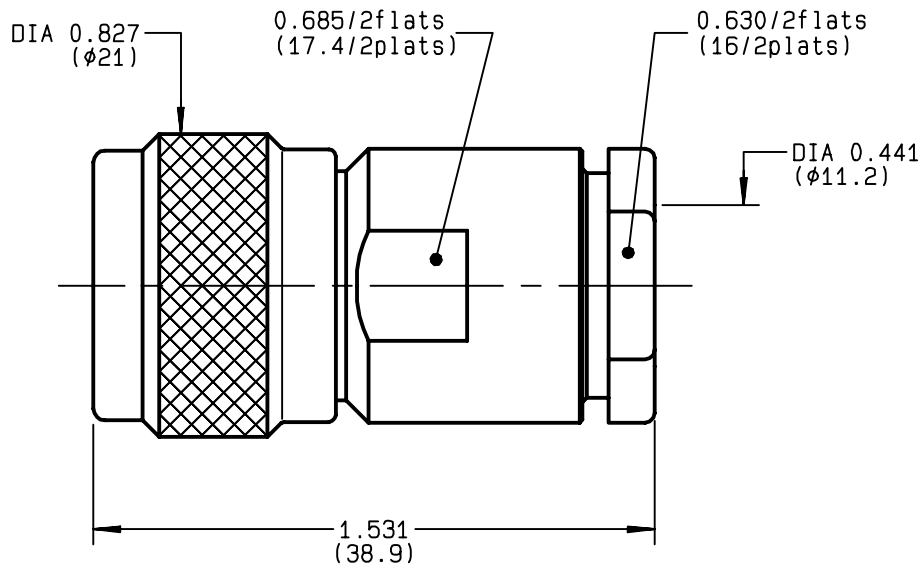


**STRAIGHT PLUG CLAMP TYPE  
CABLE 10+11/50+75 S+D**

**R161.022.000**  
**SERIES N**



NOMINAL IMPEDANCE	<b>50</b> Ω	CABLES : <b>KX 4</b>
FREQUENCY RANGE	<b>0-11</b> GHz	<b>KX 8</b>
TEMPERATURE RATING	<b>-55/+155</b> °C	<b>RG 11</b>
V.S.W.R	<b>1.30</b> + x F(GHz)Maxi	<b>RG 144</b>
RF INSERTION LOSS	<b>0.048</b> √F(GHz) dB Maxi	<b>RG 165</b>
VOLTAGE RATING	<b>1400</b> Veff Maxi	<b>RG 213</b>
DIELECTRIC WITHSTANDING VOLTAGE	<b>2500</b> Veff Mini	<b>RG 214</b>
INSULATION RESISTANCE	<b>5000</b> MΩMini	<b>RG 216</b>
HERMETIC SEAL	<b>NA</b> Atm.cm <sup>3</sup> /s	<b>RG 225</b>
LEAKAGE (pressurized only)	<b>NA</b>	<b>RG 393</b>
MECHANICAL DURABILITY	<b>500</b> Cycles	OTHERS CHARACTERISTICS
WEIGHT	<b>49.7</b> gr	CABLE RETENTION <b>300</b> N Mini
SPECIFICATION		CENTER CONTACT RETENTION
		Axial force - mating end <b>68</b> N Mini
		Axial force - opposite end <b>68</b> N Mini
		Torque <b>NA</b> cm.N Mini
		RECOMMENDED TORQUES
		Mating <b>130</b> cm.N
		Panel nut <b>NA</b> cm.N
		Clamp nut <b>800</b> cm.N

CONNECTOR PARTS	MATERIALS	FINISH	(all values are given in micrometers)
BODY	BRASS	BBR 2	
OUTER CONTACT	BRASS	BBR 2	
CENTER CONTACT	BRASS	GOLD 0.5 OVER NICKEL 2	
INSULATOR	PTFE	-	
GASKET	SILICONE RUBBER	-	
OTHERS PIECES	BRASS	BBR 2	

ISSUE	CREATION DATE	FILE PART-NUMBER
<b>9809C02</b>	<b>03/11/1992</b>	<b>EPC 96-07</b>



BONMINI

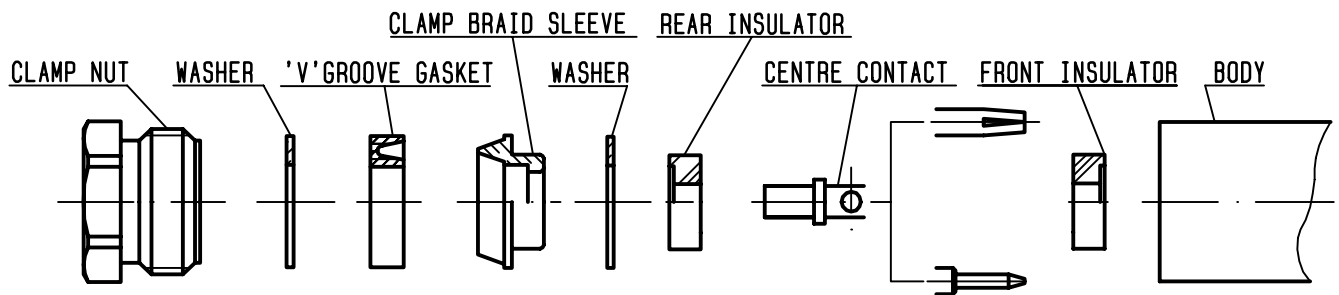
The information given here is subject to change without notice. Design changes may be in order to improve the product .

*Connect to the future*



**R161.022.000**

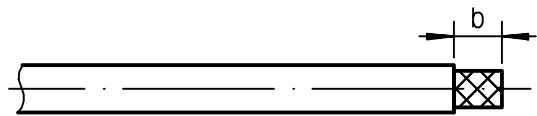
ISSUE 9809C02 SERIES N



①

Strip the cable .

-  
-  
-  
-

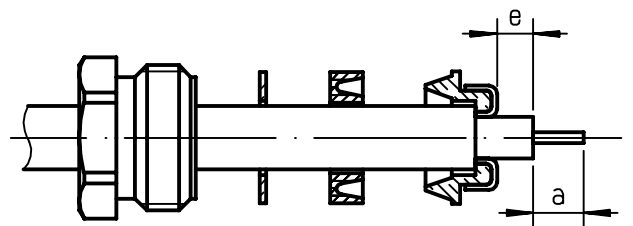


Stripping	a	b	c	d	e
inch	0.197	0.335	0	0	0.059
mm	5	8.5			1.5

②

Slide the clamp nut , the washer and the 'V' groove gasket onto the cable .  
Slide clamp braid sleeve over braid .  
Fold back braid and trim off surplus braid .  
Trim back dielectric as shown .

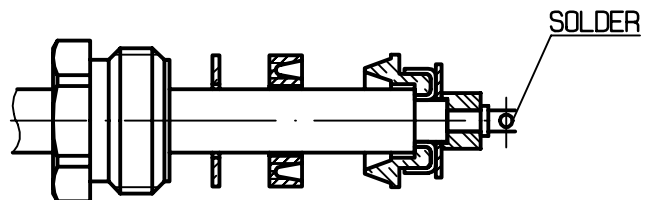
-  
-



③

Mount washer and rear insulator .  
Solder the cable inner conductor into centre contact .

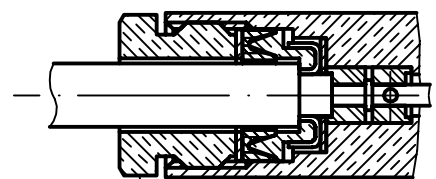
-  
-  
-  
-



④

Mount front insulator .  
Screw sub-assembly into the connector body .  
( recommended coupling torque 70.87 in.lb )

-



Hex. : 0.63/flats