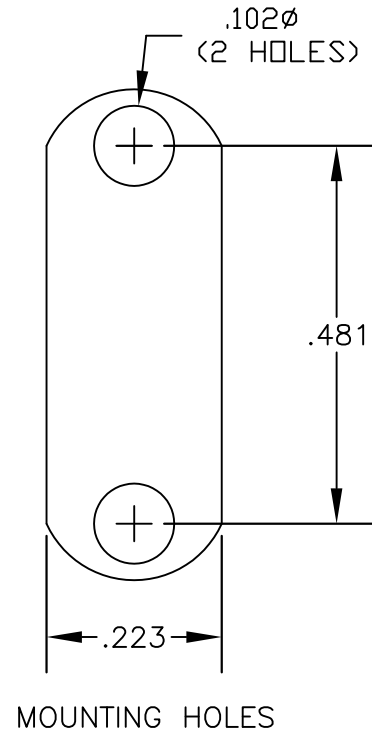
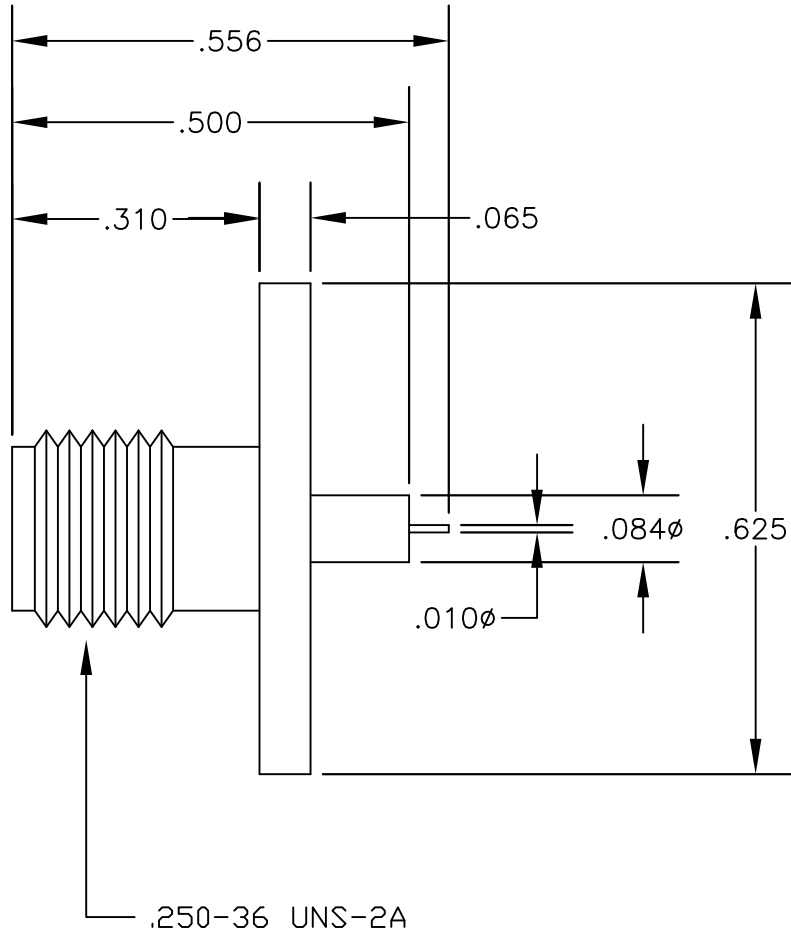


MATERIALS

BODY	STAINLESS STEEL GOLD PLATED
CONTACT	GOLD PLATED
INSULATOR	PTFE



DWG TITLE

PE4001

DES. SMA FEMALE, FLANGE MOUNT, STUB CONTACT, EXTENDED DIELECTRIC

SIZE A

FSCM NO. 53919

CAD FILE 011904

SCALE N/A

147

NOTES:

1. UNLESS OTHERWISE SPECIFIED ALL DIMENSIONS ARE NOMINAL.
2. ALL SPECIFICATIONS ARE SUBJECT TO CHANGE WITHOUT NOTICE AT ANY TIME.