

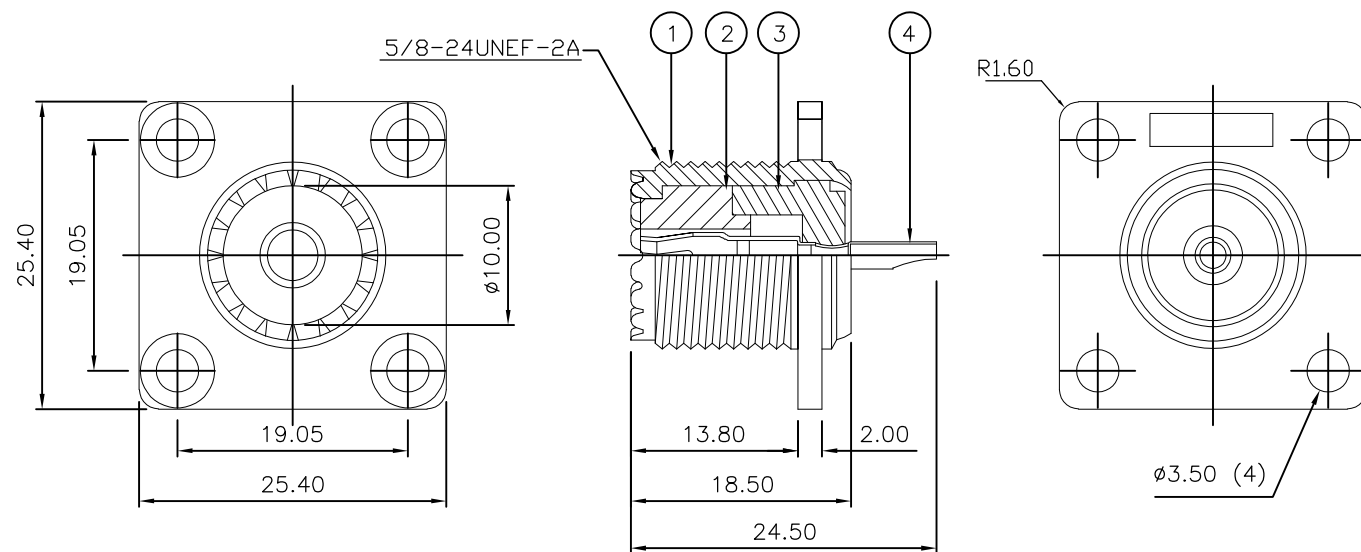
THIS DRAWING IS UNPUBLISHED. RELEASED FOR PUBLICATION AUGUST, 2006.

© COPYRIGHT 2006 BY TYCO ELECTRONICS CORPORATION. ALL RIGHTS RESERVED.

LOC	DIST	REVISIONS			
P	LTR	DESCRIPTION	DATE	DWN	APVD
	B	REVISED PER ECO-09-003420	18JAN09	ANS	BOB

NOTES:

- 1 PACK IN ACCORDANCE WITH AMP SPEC 107-3275
- 2 100 TRAY PACK IN ACCORDANCE WITH AMP SPEC 107-3275
- 3 Au PLATING
- 4 Ni PLATING
- 5 FOR TECHNICAL DATA REFER TO YOUR LOCAL TYCO ELECTRONICS SALES OFFICE
- 6 ALL DIMENSIONS ARE NOMINAL FOR REFERENCE ONLY UNLESS OTHERWISE STATED



QTY	QTY	MATERIAL	DESCRIPTION	ITEM
1	1	BRASS	CONTACT	4
1	1	PBT	INSULATION	3
1	1	PBT	INSULATION	2
1	1	ZINC	BODY	1
5--1	5--0			

QUANTITY PER ASSY PARTS LIST

THIS DRAWING IS A CONTROLLED DOCUMENT.		DWN	ANSON MA	14FEB09	Tyco Electronics Corporation Kunshan, Jiangsu, PRC215312		
DIMENSIONS: mm		CHK	RITA ZUO	14FEB09	NAME		
TOLERANCES UNLESS OTHERWISE SPECIFIED:		APVD	BOB ZHAO	14FEB09	UHF PANEL SOCKET		
0 PLC ± -		PRODUCT SPEC	108-112000				
1 PLC ± -		APPLICATION SPEC	-				
2 PLC ± -		WEIGHT	-				
3 PLC ± -		SIZE	CAGE CODE	DRAWING NO	RESTRICTED TO		
4 PLC ± -		MATERIAL	A3 00779		-		
ANGLES ± -		FINISH	C-1814816		-		
SEE TABLE		CUSTOMER DRAWING		SCALE	SHEET	REV	
				NTS	1 OF 1	B	