

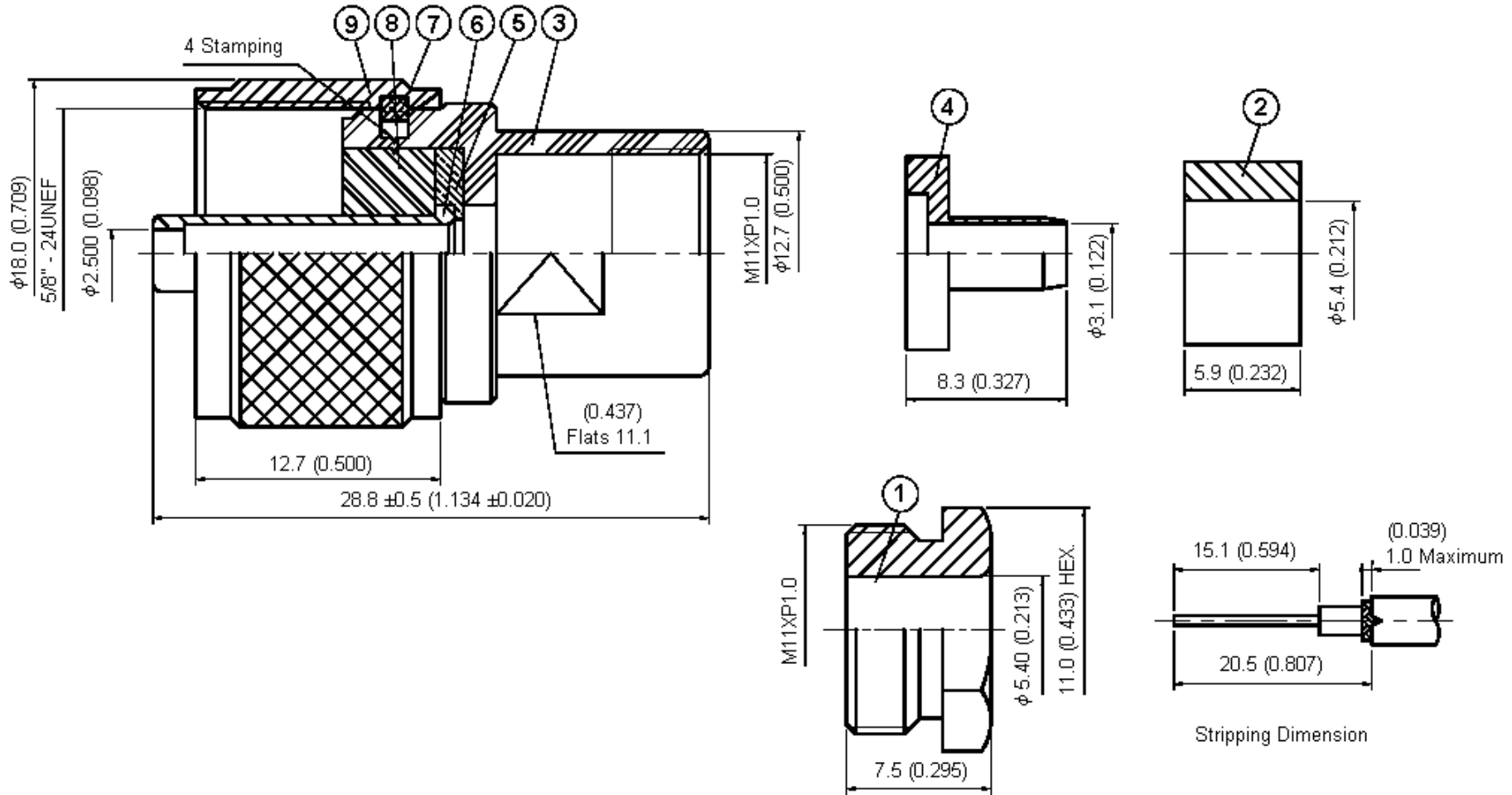


PART NO.

RG58 PLUG

REVISIONS

ECN #	REV	DESCRIPTION	DRAWN	DATE	CHECKD	DATE	APPRVD	DATE
-	A	RELEASED	S. K	04/5/06	K. S	04/5/06	N. K	18/5/06



Dimensions : Millimetres (Inches)

This data sheet and its contents (the "Information") belong to the Premier Farnell Group (the "Group") or are licensed to it. No licence is granted for the use of it other than for information purposes in connection with the products to which it relates. No licence of any intellectual property rights is granted. The Information is subject to change without notice and replaces all data sheets previously supplied. The Information supplied is believed to be accurate but the Group assumes no responsibility for its accuracy or completeness, any error in or omission from it or for any use made of it. Users of this data sheet should check for themselves the Information and the suitability of the products for their purpose and not make any assumptions based on information included or omitted. Liability for loss or damage resulting from any reliance on the Information or use of it (including liability resulting from negligence or where the Group was aware of the possibility of such loss or damage arising) is excluded. This will not operate to limit or restrict the Group's liability for death or personal injury resulting from its negligence. MULTICOMP is the registered trademark of the Group. © Premier Farnell plc 2004.

TOLERANCES:

UNLESS OTHERWISE SPECIFIED, DIMENSIONS ARE FOR REFERENCE PURPOSES ONLY.

DRAWN BY:	DATE:
S. Krishna	04/05/06
CHECKED BY:	DATE:
K. Suresh	04/05/06
APPROVED BY:	DATE:
N. Kiwomya	18/05/06

DRAWING TITLE:			
PLUG,UHF REDUCED CABLE ENTRY RG58 - UHF Series			
SIZE	DWG NO.	ELECTRONIC FILE	REV
A	M10000307	209635_4_DWG	A
SCALE: NTS	U.O.M.: mm (Inches)	SHEET: 1	



PART NO.

RG58 PLUG

REVISIONS

ECN #	REV	DESCRIPTION	DRAWN	DATE	CHECKD	DATE	APPRVD	DATE
-	A	RELEASED	S. K	04/5/06	K. S	04/5/06	N. K	18/5/06

**Feature:**

Reduced Cable Entry UHF.

**Specifications:**

Bodies : Brass per JIS-C3604.  
 Centre contact : Brass per JIS-C3604.  
 Insulation : Teflon per ASTM D1457 and ASTM D1710.  
 Part to be clean and free of burrs.

**Specification Table**

Number	Description	Material	Finish	Part Number
1	Nut	Brass	Nickel 100µ" Minimum	PLUG,UHF REDUCED CABLE ENTRY RG58
2	Gasket	Rubber	Red	
3	Body	Brass	Nickel 100µ" Minimum	
4	Braid Clamp			
5	Insulation I	Teflon	None	
6	Centre Contact	Brass	Gold	
7	Washer		None	
8	Insulation II	Teflon		
9	Shell	Brass	Nickel 100µ" Minimum	

This data sheet and its contents (the "Information") belong to the Premier Farnell Group (the "Group") or are licensed to it. No licence is granted for the use of it other than for information purposes in connection with the products to which it relates. No licence of any intellectual property rights is granted. The Information is subject to change without notice and replaces all data sheets previously supplied. The Information supplied is believed to be accurate but the Group assumes no responsibility for its accuracy or completeness, any error in or omission from it or for any use made of it. Users of this data sheet should check for themselves the Information and the suitability of the products for their purpose and not make any assumptions based on information included or omitted. Liability for loss or damage resulting from any reliance on the Information or use of it (including liability resulting from negligence or where the Group was aware of the possibility of such loss or damage arising) is excluded. This will not operate to limit or restrict the Group's liability for death or personal injury resulting from its negligence. MULTICOMP is the registered trademark of the Group. © Premier Farnell plc 2004.

**TOLERANCES:**  
  
**UNLESS OTHERWISE SPECIFIED, DIMENSIONS ARE FOR REFERENCE PURPOSES ONLY.**

<b>DRAWN BY:</b>	<b>DATE:</b>
S. Krishna	04/05/06
<b>CHECKED BY:</b>	<b>DATE:</b>
K. Suresh	04/05/06
<b>APPROVED BY:</b>	<b>DATE:</b>
N. Kiwomya	18/05/06

<b>DRAWING TITLE:</b>			
<b>PLUG,UHF REDUCED CABLE ENTRY RG58 - UHF Series</b>			
<b>SIZE</b>	<b>DWG NO.</b>	<b>ELECTRONIC FILE</b>	<b>REV</b>
A	M10000307	209635_4_DWG	A
<b>SCALE: NTS</b>		<b>U.O.M.: mm (Inches)</b>	<b>SHEET: 2</b>