

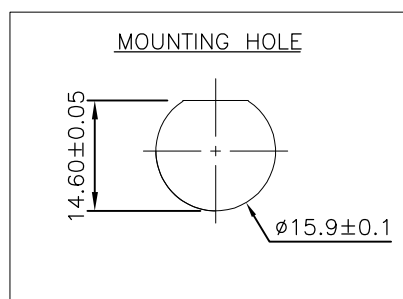
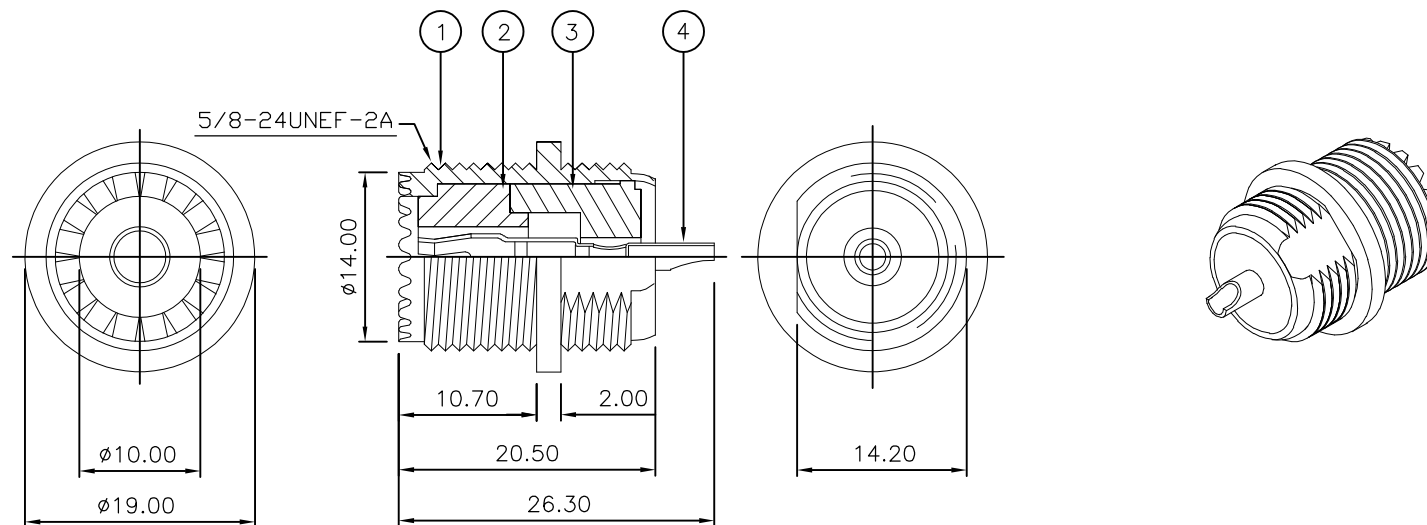
THIS DRAWING IS UNPUBLISHED. RELEASED FOR PUBLICATION AUGUST, 2006.

© COPYRIGHT 2006 BY TYCO ELECTRONICS CORPORATION. ALL RIGHTS RESERVED.

LOC	DIST	REVISIONS					
E	B	P	LTR	DESCRIPTION	DATE	DWN	APVD
		B		REVISED PER ECO-09-003420	18JAN09	ANS	BOB

NOTES:

- 1 PACK IN ACCORDANCE WITH AMP SPEC 107-3275
- 2 100 TRAY PACK IN ACCORDANCE WITH AMP SPEC 107-3275
- 3 Sn PLATING
- 4 Ni PLATING
- 5 FOR TECHNICAL DATA REFER TO YOUR LOCAL TYCO ELECTRONICS SALES OFFICE
- 6 ALL DIMENSIONS ARE NOMINAL FOR REFERENCE ONLY UNLESS OTHERWISE STATED



QTY	PER ASSY	QTY	PER ASSY	MATERIAL	DESCRIPTION	ITEM
1	1			BRASS	CONTACT	4
1	1			PBT	INSULATION	3
1	1			PBT	INSULATION	2
1	1			ZINC	BODY	1
5--1	5--0					
QUANTITY PER ASSY				PARTS LIST		

THIS DRAWING IS A CONTROLLED DOCUMENT.		DWN	ANSON MA	14FEB09	Tyco Electronics Corporation Kunshan, Jiangsu, PRC215312		
DIMENSIONS: mm		CHK	RITA ZUO	14FEB09			
TOLERANCES UNLESS OTHERWISE SPECIFIED:		APVD	BOB ZHAO	14FEB09	NAME		
0 PLC ± - 1 PLC ± - 2 PLC ± - 3 PLC ± - 4 PLC ± - ANGLES ± - FINISH -		PRODUCT SPEC		UHF BULKHEAD SOCKET FRONT MOUNT			
MATERIAL SEE TABLE		APPLICATION SPEC		108-112000			
		SIZE	CAGE CODE	DRAWING NO	RESTRICTED TO		
				A3 00779 C-1814814			
CUSTOMER DRAWING				SCALE	SHEET	REV	
				NTS	1 OF 1	B	